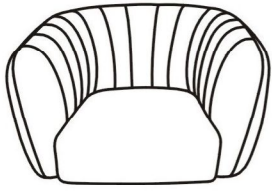


Assembly Instruction



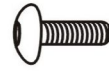
Ax1



Bx2



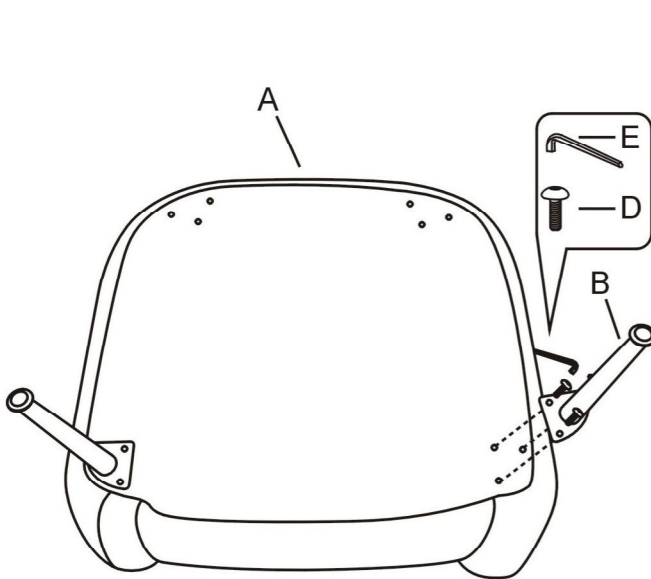
Cx2



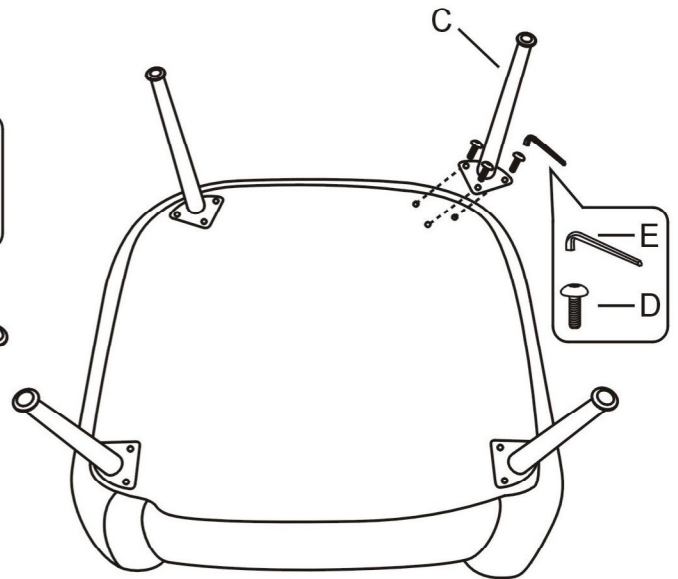
Dx12



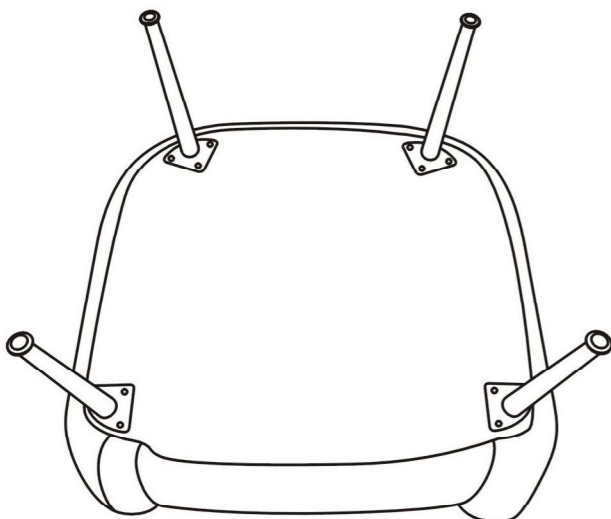
Ex1



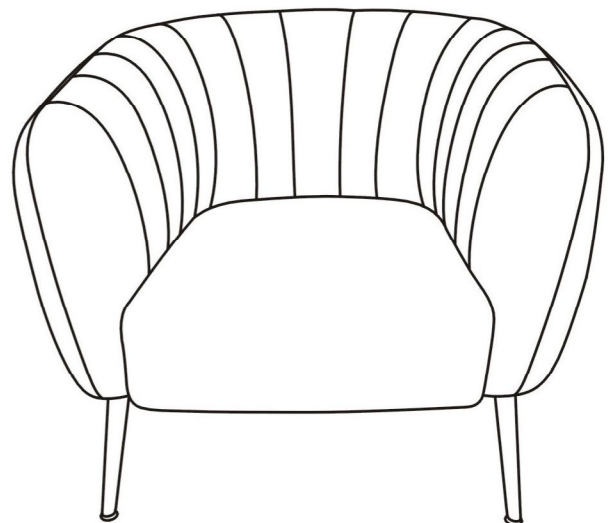
1



2



3



4